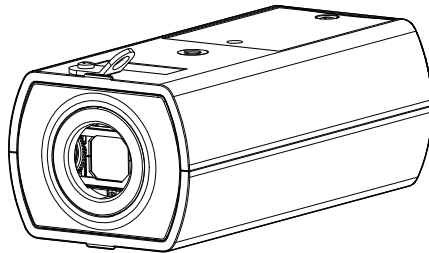


∴PRO

Basic Information

Network Camera

Model No. **WV-S1136**



About the user manuals

Product documentation is composed of the following documents.

- **Installation Guide (accessory):** Provides information about “Precautions”, “Precautions for installation” and the installation method.
- **Basic Information (this document):** Provides information about “Precautions for use”, “Parts and functions” and “Detail specifications”.
- **Operating Instructions (in the following manual website):** Explains how to perform the settings and how to operate this camera.

https://i-pro.com/global/en/surveillance/documentation_database

“<Control No.: C****>” used in these documents should be used to search for information on our support website (https://i-pro.com/global/en/surveillance/training_support/support/technical_information) and will guide you to the right information.

- microSDXC/ microSDHC/ microSD memory card is described as microSD memory card.
- The external appearance and other parts shown in this manual may differ from the actual product within the scope that will not interfere with normal use due to improvement of the product.



Contents

| | |
|---|----|
| Limitation of liability..... | 3 |
| Disclaimer of warranty..... | 3 |
| System requirements for a PC | 4 |
| Network security | 5 |
| Precautions for use | 6 |
| Parts and functions | 8 |
| Insert / remove a microSD memory card | 14 |
| Troubleshooting..... | 16 |
| Detail specifications | 18 |

Limitation of liability

THIS PUBLICATION IS PROVIDED “AS IS” WITHOUT WARRANTY OF ANY KIND, EITHER EXPRESS OR IMPLIED, INCLUDING BUT NOT LIMITED TO, THE IMPLIED WARRANTIES OF MERCHANTABILITY, FITNESS FOR ANY PARTICULAR PURPOSE, OR NON-INFRINGEMENT OF THE THIRD PARTY’S RIGHT.

THIS PUBLICATION COULD INCLUDE TECHNICAL INACCURACIES OR TYPOGRAPHICAL ERRORS. CHANGES ARE ADDED TO THE INFORMATION HEREIN, AT ANY TIME, FOR THE IMPROVEMENTS OF THIS PUBLICATION AND/OR THE CORRESPONDING PRODUCT (S).

Disclaimer of warranty

IN NO EVENT SHALL i-PRO Co., Ltd. BE LIABLE TO ANY PARTY OR ANY PERSON, EXCEPT FOR REPLACEMENT OR REASONABLE MAINTENANCE OF THE PRODUCT, FOR THE CASES, INCLUDING BUT NOT LIMITED TO BELOW:

- (1) ANY LOSS OR DAMAGE, INCLUDING WITHOUT LIMITATION, DIRECT OR INDIRECT, SPECIAL, CONSEQUENTIAL OR EXEMPLARY, ARISING OUT OF OR RELATING TO THE PRODUCT;
- (2) ANY INCONVENIENCE, LOSS, OR DAMAGE CAUSED BY INAPPROPRIATE USE OR NEGLIGENT OPERATION OF THE USER;
- (3) ALL MALFUNCTIONS OR TROUBLES FROM UNAUTHORIZED DISASSEMBLE, REPAIR OR MODIFICATION OF THE PRODUCT BY THE USER, REGARDLESS OF THE CAUSE OF THE MALFUNCTION OR TROUBLE;
- (4) INCONVENIENCE OR ANY LOSS ARISING WHEN IMAGES ARE NOT DISPLAYED, DUE TO ANY REASON OR CAUSE INCLUDING ANY FAILURE OR PROBLEM OF THE PRODUCT;
- (5) ANY PROBLEM, CONSEQUENTIAL INCONVENIENCE, OR LOSS OR DAMAGE, ARISING OUT OF THE SYSTEM COMBINED BY THE DEVICES OF THIRD PARTY;
- (6) ANY CLAIM OR ACTION FOR DAMAGES BROUGHT BY ANY PERSON OR ORGANIZATION AS A PHOTOGRAPHED SUBJECT DUE TO VIOLATION OF PRIVACY CONCERNING A SURVEILLANCE CAMERA’S PICTURE OR SAVED DATA, FOR SOME REASON (INCLUDING USE WHEN USER AUTHENTICATION ON THE AUTHENTICATION SETTING SCREEN IS SET TO OFF), BECOMING PUBLIC OR BEING USED FOR ANY PURPOSE;
- (7) LOSS OF REGISTERED DATA CAUSED BY ANY FAILURE (INCLUDING INITIALIZATION OF THE PRODUCT DUE TO FORGOTTEN AUTHENTICATION INFORMATION SUCH AS A USER NAME AND PASSWORD).

System requirements for a PC

| | |
|--------------------|---|
| CPU: | Intel® Core™ Processor family - Intel® Core™ i5-6500 or faster - Intel® Core™ i7-6700 or faster recommended |
| Memory: | 4 GB (2 GB x 2, Dual Channel) or more recommended. |
| Network interface: | 10BASE-T/100BASE-TX 1 port |
| Audio interface: | Sound card (when using the audio function) |
| Monitor: | Image capture size: 1024 x 768 pixels or more Color: 24-bit True color or better |
| OS: | Microsoft Windows 10 Microsoft Windows 8.1 |
| Web browser: | Microsoft Edge Firefox Google Chrome™ |
| Others: | Adobe® Reader® or Acrobat Reader® (It is necessary to view the PDF file.) |

IMPORTANT:

- For information on the operation verification of the supported web browsers, refer to our support website <Control No.: C0132>.
 - When using a PC that does not meet the above requirements, displaying of images may become slower or the web browser may become inoperable.
 - Audio may not be heard if a sound card is not installed on a PC. Audio may be interrupted depending on the network environment.
 - When using Microsoft Windows 8.1, use it in the desktop. The software cannot be used in the Modern UI design.
-

Network security

As you will use this unit connected to a network, your attention is called to the following security risks.

- ① Leakage or theft of information through this unit
- ② Use of this unit for illegal operations by persons with malicious intent
- ③ Interference with or stoppage of this unit by persons with malicious intent

It is your responsibility to take precautions such as those described below to protect yourself against the above network security risks.

- Use this unit in a network secured by a firewall, etc.
- If this unit is connected to a network that includes PCs, make sure that the system is not infected by computer viruses or other malicious entities (using a regularly updated anti-virus program, anti-spyware program, etc.).
- To prevent unauthorized access, use user-authentication, set user names and passwords, and limit which users can log in.
- Apply measures such as user authentication to protect your network against leakage or theft of information, including image data, authentication information (user names and passwords), alarm mail information and DDNS server information.
- After the unit is accessed by the administrator, make sure to close the browser.
- Change the administrator password periodically. Additionally, save user authentication information (user names and passwords) in such a way that it is kept out of the hands of third parties.
- Do not install the camera in locations where the camera or the cables can be destroyed or damaged by persons with malicious intent.

Precautions for use

When the product is accessible from the Internet

To prevent unauthorized access, note the following.

- Leave user authentication turned on.
- Periodically change passwords that are used to access the product.

Refer to the Operating Instructions for information about how to change passwords.

To keep on using with stable performance

Do not use this product in hot and humid conditions for a long time. Failure to observe this causes component degradation resulting in life shortening of this product. Do not expose this product to direct heat sources such as a heater.

Usage such as switching the power ON/OFF frequently could lead to failure of the camera.

Handle this product with care.

Do not drop this product, nor apply shock or vibration to the product. Failure to observe this may cause trouble.

Do not directly touch the lens surface with your bare hands.

A dirty lens surface causes deterioration of picture quality.

When an error is detected, this product will restart automatically.

This product will be inoperable for around 2 minutes after the restart just as when the power is turned on.

About the automatic status detection function

When this product malfunctions due to exogenous noise, etc. for 30 seconds or more, the product will automatically restart and will return to normal state. When the product is restart, initialization will be carried out as when the power of the product is turned on. When the product repeatedly resets, exogenous noise level around the product may be high and that may cause malfunction. Contact your dealer for instructions.

Periodically images on the screen appear to be distorted

When the camera is installed in a location where it is subject to small vibrations (for example, when it is installed near devices that vibrate), images may appear distorted and stretched lengthways. This phenomenon is a characteristic of image pickup devices that use CMOS sensors and is caused by the relationship between the periodic movements of the camera and the timing that the image sensor reads images. This is not a problem with the camera. To reduce the possibility of this phenomenon occurring, install the camera in a secure location.

We shall not be liable for content compensation, losses of recorded or edited content and any direct or indirect consequent damages caused by failure to record or edit due to faults with this unit or the microSD memory card. In addition, the same provisions apply after unit is repaired.

About the CMOS image sensor

- When continuously shooting a bright light source such as a spotlight, the color filter of the CMOS image sensor may become deteriorated and this may cause discoloration. Even when changing the fixed shooting direction after continuously shooting a spotlight for a certain period, the discoloration may remain.
- When shooting fast-moving subjects or objects crossing the shooting area may look to be bending askew.

Cleaning this product body

Be sure to turn off the power before cleaning. Failure to observe this may cause injury.

Do not use benzine, thinner, alcohol, or any other types of solvents or detergents. Otherwise, it may cause discoloration. When using a chemical cloth for cleaning, read the caution provided with the chemical cloth product.

- Do not loosen or remove screws unless instructed to do so in the product documentation.

Cleaning the lens

Use a lens cleaning paper (used to clean camera lenses or lenses of spectacles). When using solvent, use an alcohols solvent and do not use a glass cleaner or a thinner.

AVC Patent Portfolio License

THIS PRODUCT IS LICENSED UNDER THE AVC PATENT PORTFOLIO LICENSE FOR THE PERSONAL USE OF A CONSUMER OR OTHER USES IN WHICH IT DOES NOT RECEIVE REMUNERATION TO (i) ENCODE VIDEO IN COMPLIANCE WITH THE AVC STANDARD (“AVC VIDEO”) AND/OR (ii) DECODE AVC VIDEO THAT WAS ENCODED BY A CONSUMER ENGAGED IN A PERSONAL ACTIVITY AND/OR WAS OBTAINED FROM A VIDEO PROVIDER LICENSED TO PROVIDE AVC VIDEO. NO LICENSE IS GRANTED OR SHALL BE IMPLIED FOR ANY OTHER USE. ADDITIONAL INFORMATION MAY BE OBTAINED FROM MPEG LA, L.L.C.

SEE [HTTPS://WWW.MPEGLA.COM/](https://www.mpegla.com/)

Product disposal/transfer

Data saved on this product or a storage device used with this product may lead to personal information leakage. When it is necessary to dispose or give this product to someone, even when for repair, make sure that there is no data on this product.

When abandoning the memory media, it is recommended to destroy it physically after deleting data by PC.

Effects on images and image quality

Depending on the installation location, the lens may become dirty, causing image quality to deteriorate or images may become difficult to see.

Router

When connecting this product to the Internet, use a broadband router with the port forwarding function (NAT, IP masquerade).

Refer to the Operating Instructions for further information about the port forwarding function.

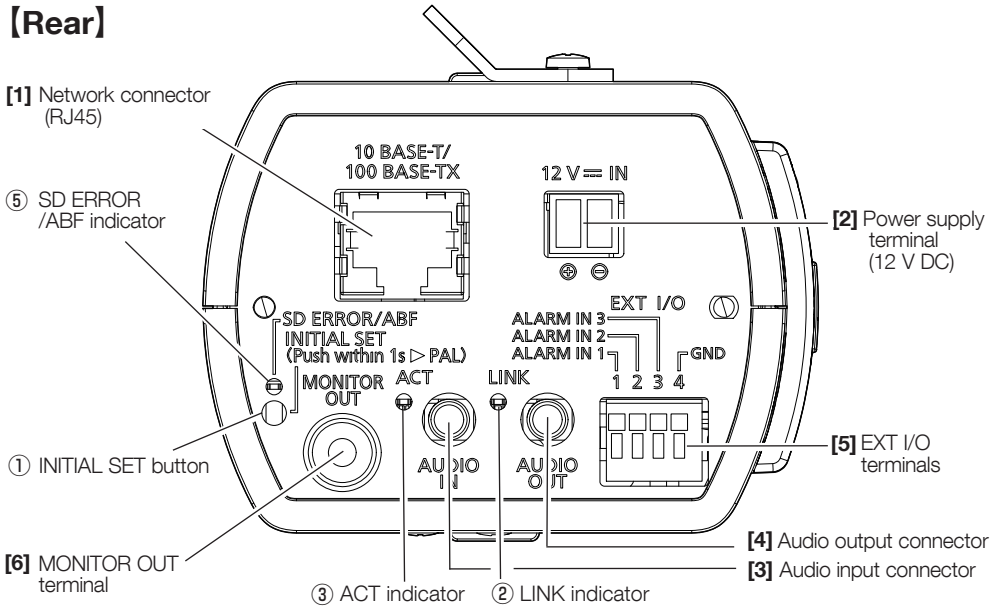
Time & date setting

It is necessary to set the time & date before putting this product into operation. Refer to the Operating Instructions for descriptions of how to perform the settings.

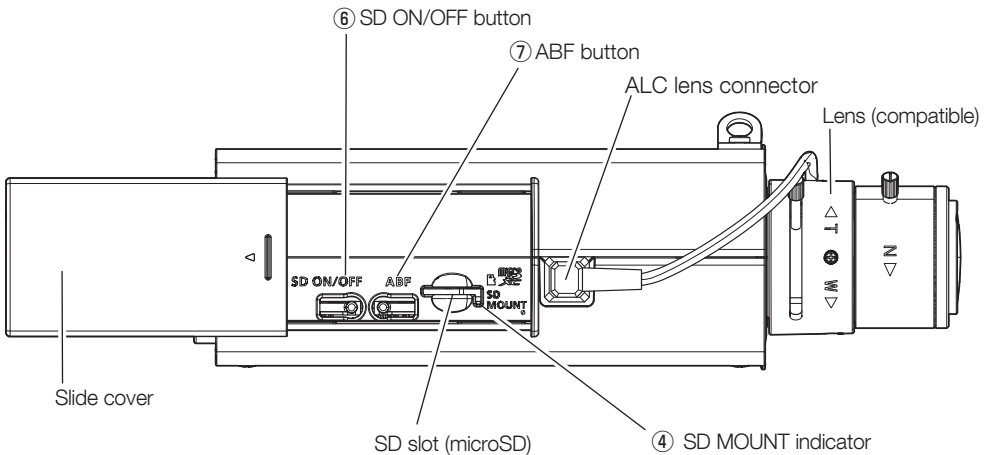
Parts and functions

■ Terminals

[Rear]



[Side]



[1] Network connector (RJ45)

Connect an Ethernet cable (category 5e or better, straight, 4 pairs (8 pins)) to the network connector.

IMPORTANT:

- Use all 4 pairs (8 pins) of the Ethernet cable.
 - The maximum cable length is 100 m {328 feet}.
 - Make sure that the PoE device in use is compliant with IEEE802.3af standard.
 - When connecting both the 12 V DC power supply and the PoE device for power supply, 12 V DC will be used for power supply.
 - When the Ethernet cable is disconnected once, reconnect the cable after around 2 seconds. When the cable is quickly reconnected, the power may not be supplied from the PoE device.
-

[2] Power supply terminal (12 V DC)/ Power cord plug (accessory)

Connect the output cable of the DC power supply to the power cord plug.

IMPORTANT:

- Be sure to use the power cord plug provided with this product.
 - Be sure to fully insert the power cord plug into the power supply terminal (12 V DC). Otherwise, it may damage the camera or cause malfunction.
 - When installing the camera, make sure that excessive force is not applied to the power cable.
 - Be sure to use an AC adaptor compliant with the Specifications (written in the indication label on the upper side of this unit) regarding power source and power consumption.
-

[3] Audio input connector

Connect a microphone or the line out of an external device using a stereo mini plug (ø3.5 mm).

<For microphone input>

- Recommended microphone (locally procured): Plug-in power type
(Sensitivity of microphone: -48 dB ±3 dB (0 dB=1 V/Pa, 1 kHz))
- Input impedance: Approx. 2 kΩ (unbalanced)
- Supply voltage: 2.5 V ±0.5 V
- Recommended cable length: Less than 1 m {3.28 feet}

<For line input>

- Input level for the line input: Approx. -10 dBV
- Recommended cable length: Less than 10 m {32.8 feet}

[4] Audio output connector

Connect an external speaker* using a stereo mini plug (ø3.5 mm). (Audio output is monaural.)

- Output impedance: Approx. 600 Ω (unbalanced)
- Recommended cable length: Less than 10 m {32.8 feet}
- Output level: -20 dBV *Use a powered speaker.

IMPORTANT:

- Connect/disconnect the audio cables and turn on the power of the camera after turning off the power of the audio output devices. Otherwise, loud noise may be heard from the speaker.
- Make sure that the stereo mini plug is connected to this cable. When a monaural mini plug is connected, audio may not be heard.

When connecting a monaural speaker with amplifier, use a locally procured conversion cable (mono-stereo).

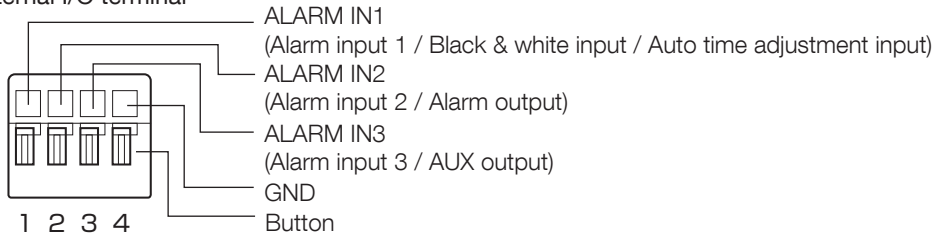
[5] EXT I/O terminals

Note:

- Off, input, and output of the ALARM IN2 and 3 can be switched by configuring the setting. Refer to the Operating Instructions for further information about the ALARM IN2 and 3 settings (“Off”, “Alarm input”, “Alarm output” or “AUX output”).
-

<Ratings>

- Alarm input 1 / Black & white input / Auto time adjustment input, Alarm input2, Alarm input3
Input specification: No-voltage make contact input (4 V - 5 V DC, internally pulled up)
OFF: Open or 4 V - 5 V DC
ON: Make contact with GND (required drive current: 1 mA or more)
- Alarm output, AUX output
Output specification: Open collector output (maximum applied voltage: 20 V DC)
OPEN: 4 V - 5 V DC by internal pull-up
CLOSE: Output voltage 1 V DC or less (maximum drive current: 50 mA)

External I/O terminal

IMPORTANT:

- Install external devices so that they do not exceed the rating of the network camera.
 - When using the ALARM IN2 and/or 3 as the output terminals, ensure they do not cause signal collision with external signals.
-

[6] MONITOR OUT terminal (factory shipment: NTSC monitor)

Used to connect a monitor used for adjustments during installation or when performing service.

IMPORTANT:

- The adjustment monitor is used for checking the adjustment of the angular field of view when installing the camera or when servicing. It is not provided for recording/monitoring use.
 - Depending on the monitor, some characters (date, time, camera title, etc.) may not be displayed on the screen.
 - When [16:9 mode] is selected for “Image capture mode”, the top and bottom of the image on the monitor will be displayed in black.
-

Note:

- The monitor out is set to NTSC in the default settings of the camera. If you want to change the monitor out setting to PAL, refer to the Operating Instructions on our manual website.
-

■ Indicators and buttons

① INITIAL SET button (Initializing / NTSC ⇔ PAL switch button)

Follow the steps below to initialize the network camera.

(1) Turn off the power of the camera.

When using a PoE hub, disconnect the Ethernet cable from the camera. When using an external power supply, disconnect the power cord plug (accessory) from the power supply terminal (12V DC).

(2) Turn on the power of the camera while pressing the INITIAL SET button, and make sure to release the button after approximately 15 seconds. In about 2 minutes later, the camera will start up and the settings including the network settings will be initialized. Retry if the camera does not start up normally.

IMPORTANT:

- When the camera is initialized, the settings including the network settings will be initialized. Before initializing the settings, it is recommended to write down the settings in advance.
 - Do not turn off the power of the camera during the process of initialization. Otherwise, it may fail to initialize and may cause malfunction.
-
- When the INITIAL SET button is pressed (less than 1 second) to switch the output signal of the MONITOR OUT terminal, the MONITOR OUT terminal can be switched for the NTSC monitor ⇔ PAL monitor.

② LINK indicator

- When the camera is able to communicate with the connected device Lights orange

③ ACT indicator

- When data is being sent via the network camera Blinks green (accessing)

④ SD MOUNT indicator

- When a microSD memory card is inserted and could be recognized Lights off → Blinks green → Lights off
- When data can be saved after the microSD memory card is inserted and the SD ON/OFF button is pressed (less than 1 second) Lights off → Lights green
- When data can be saved to the microSD memory card Lights green
- When the microSD memory card is removed after holding down the SD ON/OFF button (about 2 seconds) Lights green → Blinks green → Lights off (recording)
Lights green → Lights off (waiting for recording)
- When data cannot be saved to the microSD memory card because an abnormality was detected or the microSD memory card is configured not to be used Lights off

⑤SD ERROR/ABF indicator

- When ABF (Auto Back Focus) operation is being executed Blinks red (Interval of 1 time/ second)
- When the camera is being started Lights red
- When a microSD memory card is recognized normally Lights red → Lights off
- When the SD slot is not used or an abnormality is detected in microSD memory card after the camera has started Lights red → Stays red

Note:

- Lighting/blinking LED can be turned off with the software settings at any time. (The initial state is lighting or blinking.) Set the LED to be solid off if necessary, depending on the installation conditions. (📄 Operating instructions on our manual website)
-

⑥SD ON/OFF button

- (1)When the SD ON/OFF button is pressed (less than 1 second), the SD MOUNT indicator lights up in green and data can be saved to the microSD memory card.
- (2)When the SD ON/OFF button is held down (about 2 seconds), the SD MOUNT indicator lights off and the microSD memory card can be removed.

⑦ABF (Auto Back Focus) button

Used when adjusting the focus. Refer to the Installation Guide for details.

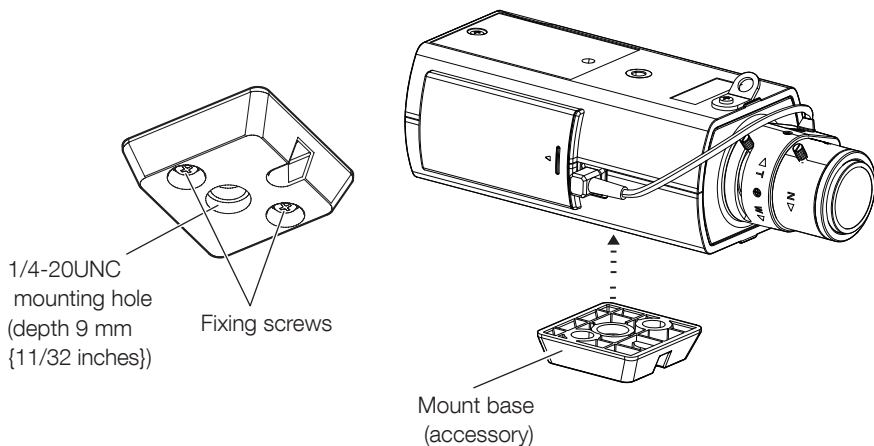
■ Mount base(accessory)

Use the mount base (accessory) when mounting the camera to raise the camera mounting position.

Secure the mount base (accessory) to the bottom side of the camera using 2 fixing screws.

(Recommended tightening torque:0.39 N·m {0.29 lbf·ft})

Size of the mounting hole: 1/4-20UNC mounting hole (depth 9 mm {11/32 inches})



Insert / remove a microSD memory card

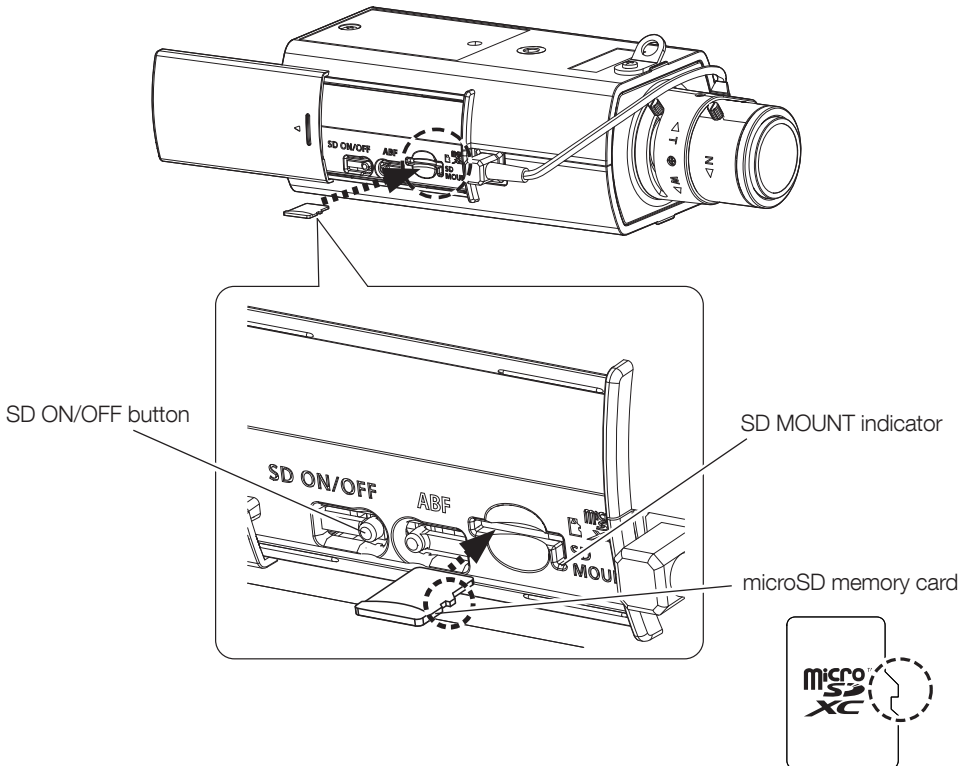
Note:

- Refer to the Operating Instructions on our manual website for further information about the microSD memory card settings.
- Refer to our support website <Control No.: C0107> for latest information about the compatible microSD memory cards.

■ Insert a microSD memory card

- ① Open the slide cover on the side of the camera.
- ② Insert the microSD memory card until it makes a clicking sound.
- ③ Take your fingers off the microSD memory card and check that its back end does not protrude over the side part of the camera.
- ④ After the microSD memory card has been inserted, press the SD ON/OFF button, and make sure the SD MOUNT indicator is continually lit.

If you do not press the SD ON/OFF button after inserting the microSD memory card, the SD MOUNT indicator is automatically lit approximately 5 minutes later.



- ⑤ Close the slide cover on the side of the camera.

■ Remove a microSD memory card

When removing a microSD memory card, reverse the procedure.

- To remove the microSD memory card, hold down the SD ON/OFF button for about 2 seconds. When the flashing SD MOUNT indicator goes out, you can remove the microSD memory card.

IMPORTANT:

- Before turning off the camera power switch, make sure that the SD MOUNT indicator is turned off. If you turn off the camera power switch while the SD MOUNT indicator is lit or flashing, the recorded data may be corrupted or damaged.
-

Note:

- When using a microSD memory card, format it using this product. Recorded data on the microSD memory card will be deleted when formatted. If an unformatted microSD memory card or a microSD memory card formatted with other devices is used, this product may not work properly or performance deterioration may be caused. Refer to the Operating Instructions on our manual website for how to format a microSD memory card.
 - When some microSD memory cards are used with this product, the product may not work properly or performance deterioration may be caused. Use the compatible microSD memory cards. (To our support website <Control No.:<C0107>)
-

Troubleshooting

Before asking for repairs, check the symptoms with the following table.

Contact your dealer if a problem cannot be solved even after checking and trying the solution in the table or a problem is not described below.

| Symptom | Cause/solution | Reference pages |
|---|--|--------------------|
| Power is not turned on. | <p>When using a PoE device for power supply</p> <ul style="list-style-type: none"> Are the PoE device (IEEE802.3af compliant) and the RJ45 Network connector connected using an Ethernet cable? Check whether the connection is appropriately established. Depending on the PoE device, the power supply will stop when the demanded power exceeds its total power limit for all PoE ports. Refer to the operating instructions of the PoE device in use. | Installation Guide |
| | <p>When using DC power supply</p> <ul style="list-style-type: none"> Is the power cord plug (accessory) firmly inserted into the power supply terminal (12 V DC) of the camera? Confirm the power plug is firmly connected. Is the AC adaptor in use compliant with the Specifications? Check the Specifications regarding AC adaptor. | |
| The LINK indicator does not light in orange even when the Ethernet cable is connected to the camera. | <ul style="list-style-type: none"> Is the Ethernet cable connected appropriately? Connect the Ethernet cable appropriately. Is the hub or router connected to the camera operating appropriately? Check if the hub or router in use is operating appropriately. Is the Ethernet cable connected to the camera broken? Replace the cable with another one. | 12 |
| The SD MOUNT indicator does not light even when a microSD memory card is installed. | <p>This indicator lights up green when the microSD memory card is recognized correctly and ready for use.</p> <ul style="list-style-type: none"> Has the inserted microSD memory card been formatted on a PC? Use a microSD memory card formatted on the camera. Or install the software to format the microSD memory card on the PC. Refer to our support website <Control No.: C0105> for further information about the supported software. Is the inserted microSD memory card faulty? Replace the card with a normal one. | 12 |
| SD ERROR/ABF indicator lights red | <ul style="list-style-type: none"> The read / write error on the microSD memory card has occurred. Is the inserted microSD memory card faulty? Replace the card with a normal one. | 13 |

| Symptom | Cause/solution | Reference pages |
|---|---|---------------------------|
| <p>Audio input contains noise.</p> | <ul style="list-style-type: none"> • Check the following. <ul style="list-style-type: none"> • Grounding of the camera, a switching hub or peripheral devices are not done. • The camera is used near an electrical power line. • The camera is used near a device which produces strong magnetic field or radio waves (such as near a TV/radio antenna, a motor of an air conditioning system, a transformer, etc.) <p>When audio input still contains noise even after checking the above possibilities, use a powered microphone or connect audio output with low output impedance.</p> | <p>Installation Guide</p> |

Detail specifications

• Basic

| | |
|-------------------------------------|---|
| Power source *1: | DC 12 V PoE (IEEE802.3af compliant) |
| Power consumption *1: | DC 12 V: 480 mA/ Approx. 5.8 W PoE DC 48 V: 130 mA/ Approx. 6.3 W (Class 2 device) |
| Operating environment | |
| Ambient operating temperature: | -10 °C to +50 °C {14 °F to 122 °F} (Power on range: 0 °C to 50 °C {32 °F to 122 °F}) |
| Ambient operating humidity: | 10 % to 90 % (no condensation) |
| Storage environment | |
| Storage temperature: | -30 °C to +60 °C {-22 °F to +140 °F} |
| Storage humidity: | 10 % to 95 % (no condensation) |
| Monitor output (for adjustment): | VBS: 1.0 V [p-p]/75 Ω, composite, Pin jack An NTSC or PAL signal can be outputted from camera (either press the INITIAL SET button quickly (within 1 second) or use software to select NTSC or PAL signal). |
| EXT I/O terminals: | ALARM IN1 (Alarm input 1/ Black & white input/ Auto time adjustment input) (×1) ALARM IN2 (Alarm input 2/ ALARM OUT) (×1) ALARM IN3 (Alarm input 3/ AUX OUT) (×1) |
| Audio input: | ø3.5 mm stereo mini jack |
| For microphone input: | Recommended applicable microphone: Plug-in power type (Sensitivity of microphone: -48 dB±3 dB (0 dB=1 V/Pa, 1 kHz)) Input impedance: Approx. 2 kΩ (unbalanced) Supply voltage: 2.5 V ±0.5 V |
| For line input: | Input level: Approx. -10 dBV |
| Audio output: | ø3.5 mm stereo mini jack (Audio output is monaural.) Output impedance: Approx. 600 Ω (unbalanced) Output level: -20 dBV |
| Dimensions: | 75 mm (W) × 57 mm (H) × 146 mm (D) {2-15/16 inches (W) × 2-1/4 inches (H) × 5-3/4 inches (D)} (excluding lens/ power cord plug) |
| Mass: | Approx. 370 g {0.82 lbs} |
| Finish: | PC/ABS resin, i-PRO white |

*1 Refer to our support website <Control No.: C0106> for further information about Power source and Power consumption information.

• Camera

| | |
|---|--|
| Image sensor: | Approx. 1/2.8 type CMOS image sensor |
| Effective pixels: | Approx. 2.1 megapixels |
| Scanning area: | 5.57 mm (H)×3.13 mm (V) {7/32 inches (H) × 1/8 inches (V)} |
| Scanning system: | Progressive |
| Minimum illumination: | <p>Color: 0.006 lx {0.00056 footcandle} (30IRE, F1.2, Maximum shutter: Off (1/30 s), AGC: 11)* 0.008 lx {0.00075 footcandle} (50IRE, F1.2, Maximum shutter: Off (1/30 s), AGC: 11) 0.0005 lx {0.00005 footcandle} (50IRE, F1.2, Maximum shutter: max. 16/30 s, AGC: 11)*</p> <p>BW: 0.004 lx {0.00037 footcandle} (50IRE, F1.2, Maximum shutter: Off (1/30 s), AGC: 11) 0.0003 lx {0.00003 footcandle} (50IRE, F1.2, Maximum shutter: max. 16/30 s, AGC: 11)*</p> <p>* Converted value</p> |
| Intelligent Auto: | On/ Off |
| Super Dynamic *1: | On/ Off The level can be set in the range of 0 to 31. |
| Dynamic range: | Max. 144 dB (Super Dynamic: On, Level: 31) |
| Maximum gain: | The level can be set in the range of 0 to 11. |
| Adaptive black stretch: | The level can be set in the range of 0 to 255. |
| Back light compensation (BLC) / High light compensation (HLC): | BLC/ HLC/ Off The level can be set in the range of 0 to 31. (only when Super Dynamic/ Intelligent Auto: Off) |
| Fog compensation: | On/ Off The level can be set in the range of 0 to 8. (only when Intelligent Auto / Auto contrast adjust: Off) |
| Light control mode setting: | Outdoor scene/ Indoor scene (50 Hz)/ Indoor scene (60 Hz)/ELC /Fix shutter |
| Shutter speed: | <p>[60 fps mode] 1/60 Fix, 1/100 Fix, 1/120 Fix, 1/250 Fix, 1/500 Fix, 1/1000 Fix, 1/2000 Fix, 1/4000 Fix, 1/10000 Fix</p> <p>[30 fps/15 fps mode] 1/30 Fix, 3/120 Fix, 2/100 Fix, 2/120 Fix, 1/100 Fix, 1/120 Fix, 1/250 Fix, 1/500 Fix, 1/1000 Fix, 1/2000 Fix, 1/4000 Fix, 1/10000 Fix</p> <p>[50 fps mode] 1/50 Fix, 1/100 Fix, 1/250 Fix, 1/500 Fix, 1/1000 Fix, 1/2000 Fix, 1/4000 Fix, 1/10000 Fix</p> <p>[25 fps/12.5 fps mode] 1/25 Fix, 3/100 Fix, 2/100 Fix, 1/100 Fix, 1/250 Fix, 1/500 Fix, 1/1000 Fix, 1/2000 Fix, 1/4000 Fix, 1/10000 Fix</p> |

| | |
|-------------------------------|---|
| Maximum shutter: | <p>[60 fps mode] Max. 1/4000 s, Max. 1/2000 s, Max. 1/1000 s, Max. 1/500 s, Max. 1/250 s, Max. 1/120 s, Max. 1/100 s, Max. 2/120 s, Max. 1/30 s, Max. 2/30 s, Max. 4/30 s, Max. 6/30 s, Max. 10/30 s, Max. 16/30 s</p> <p>[30 fps/15 fps mode] Max. 1/4000 s, Max. 1/2000 s, Max. 1/1000 s, Max. 1/500 s, Max. 1/250 s, Max. 1/120 s, Max. 1/100 s, Max. 2/120 s, Max. 2/100 s, Max. 3/120 s, Max. 1/30 s, Max. 2/30 s, Max. 4/30 s, Max. 6/30 s, Max. 10/30 s, Max. 16/30 s</p> <p>[50 fps mode] Max.1/4000 s, Max.1/2000 s, Max.1/1000 s, Max.1/500 s, Max.1/250 s, Max.1/100 s, Max.2/100 s, Max.1/25 s, Max.2/25 s, Max.4/25 s, Max.6/25 s, Max.10/25 s, Max.16/25 s</p> <p>[25 fps/12.5 fps mode] Max. 1/4000 s, Max. 1/2000 s, Max. 1/1000 s, Max. 1/500 s, Max. 1/250 s, Max. 1/100 s, Max. 2/100 s, Max. 3/100 s, Max. 1/25 s, Max. 2/25 s, Max. 4/25 s, Max. 6/25 s, Max. 10/25 s, Max. 16/25 s</p> |
| Color/BW: | Off/ On/ Auto1(Normal)/ Auto2(IR Light)/ Auto3(SCC) |
| White balance: | ATW1/ ATW2/ AWC |
| Digital noise reduction: | The level can be set in the range of 0 to 255. |
| Privacy zone: | On/ Off Up to 8 zones available |
| VIQS: | On/ Off up to 8 zones available |
| Camera title on screen: | On/ Off Up to 40 characters, Up to 2 lines (alphanumeric characters, marks) |
| Video Motion Detection (VMD): | On/ Off 4 areas available |
| Scene Change Detection (SCD): | On/ Off 1 area available |
| Audio Detection: | On/ Off |
| AI Sound classification: | Selectable from Gunshot, Yell, Vehicle horn, Glass break |
| Image rotation *2, *3, *4: | 0° (Off)/ 90°/ 180° (Upside-down)/ 270° |
| Back focus: | Auto back focus/ Focus/ Adjusting method (Auto/ Preset/ Fix) |
| Lens drive: | DC drive |
| Lens mount: | CS-mount |

*1 When 60 fps or 50 fps is selected, the Super Dynamic function is automatically set to off.

*2 When the 320x180 resolution is used, the "90°" and "270°" settings are not available.

*3 When "0° (Off)" or "180° (Upside-down)" is used, the analog output of the MONITOR OUT terminal rotates according to the setting angle of the rotated image.

*4 When [16:9 mode (30 fps mode)] or [16:9 mode (25 fps mode)] is used, the "90°" and "270°" settings are available.

• **Network**

| | |
|--|--|
| Network: | 10BASE-T/100BASE-TX, RJ45 connector |
| Resolution *1: H.265/ H.264 JPEG (MJPEG) | [16:9 mode (60 fps mode)] [16:9 mode (30 fps mode)] [16:9 mode (50 fps mode)] [16:9 mode (25 fps mode)] 1920×1080/ 1280×720/ 640×360/ 320×180 [4:3 mode (30 fps mode)] [4:3 mode (25 fps mode)] 1280×960/ VGA/ QVGA [4:3 mode (15 fps mode)] [4:3 mode (12.5 fps mode)] 2048×1536 *2/ 1280×960/ VGA/ QVGA |
| Image compression method: H.265/ H.264 *3 | <p>Transmission priority: Constant bit rate/ VBR/ Frame rate/ Best effort</p> <p>Frame rate: [60 fps mode] 1 fps/ 3 fps/ 5 fps*/ 7.5 fps*/ 10 fps*/ 12 fps*/ 15 fps*/ 20 fps*/ 30 fps*/ 60 fps* [30 fps mode] 1 fps/ 3 fps/ 5 fps*/ 7.5 fps*/ 10 fps*/ 12 fps*/ 15 fps*/ 20 fps*/ 30 fps* [15 fps mode] 1 fps/ 3 fps/ 5 fps*/ 7.5 fps*/ 10 fps*/ 12 fps*/ 15 fps* [50 fps mode] 1 fps/ 3.1 fps/ 4.2 fps*/ 6.25 fps*/ 8.3 fps*/ 12.5 fps*/ 20 fps*/ 25 fps*/ 50 fps* [25 fps mode] 1 fps/ 3.1 fps/ 4.2 fps*/ 6.25 fps*/ 8.3 fps*/ 12.5 fps*/ 20 fps*/ 25 fps* [12.5 fps mode] 1 fps/ 3.1 fps/ 4.2 fps*/ 6.25 fps*/ 8.3 fps*/ 12.5 fps* (The frame rate is limited to “bit rate”. When a value with an asterisk (*) is selected, the actual frame rate may be lower than the value selected.)</p> <p>Bit rate per client: 64 kbps/ 128 kbps*/ 256 kbps*/ 384 kbps*/ 512 kbps*/ 768 kbps*/ 1024 kbps*/ 1536 kbps*/ 2048 kbps*/ 3072 kbps*/ 4096 kbps*/ 6144 kbps*/ 8192 kbps*/ 10240 kbps*/ 12288 kbps*/ 14336 kbps*/ 16384 kbps*/ 20480 kbps*/ 24576 kbps*/ --FREE ENTRY-- *The available range of the bit rate varies depending on the setting selected for “image capture size”.</p> <p>Image quality:</p> <ul style="list-style-type: none"> • For “Constant bit rate”, “Frame rate”, and “Best effort”: Low(Motion priority)/ Normal/ Fine(Image quality priority) • “VBR”: 0 Super fine/ 1 Fine/ 2/ 3/ 4/ 5 Normal/ 6/ 7/ 8/ 9 Low <p>Transmission type: Unicast port (AUTO)/ Unicast port (MANUAL)/ Multicast</p> |

| | |
|---------------------------|--|
| JPEG (MJPEG) | <p>Image quality: 0 SUPER FINE/ 1 FINE/ 2/ 3/ 4/ 5 NORMAL/ 6/ 7/ 8/ 9 LOW (10 steps: 0-9)</p> <p>Transmission type: Pull (Refresh interval)/ Push (MJPEG)</p> <p>Refresh interval: [60 fps mode] 0.1 fps/ 0.2 fps/ 0.33 fps/ 0.5 fps/ 1 fps/ 2 fps/ 3 fps/ 5 fps/ 6 fps/ 10 fps/ 12 fps/ 15 fps/ 30 fps/ 60 fps [30 fps mode] 0.1 fps/ 0.2 fps/ 0.33 fps/ 0.5 fps/ 1 fps/ 2 fps/ 3 fps/ 5 fps/ 6 fps/ 10 fps/ 12 fps/ 15 fps/ 30 fps [15 fps mode] 0.1 fps/ 0.2 fps/ 0.33 fps/ 0.5 fps/ 1 fps/ 2 fps/ 3 fps/ 5 fps/ 6 fps/ 10 fps/ 12 fps/ 15 fps [50 fps mode] 0.08 fps/ 0.17 fps/ 0.28 fps/ 0.42 fps/ 1 fps/ 2.1 fps/ 3.1 fps/ 4.2 fps/ 5 fps/ 8.3 fps/ 12.5 fps/ 25 fps/ 50 fps [25 fps mode] 0.08 fps/ 0.17 fps/ 0.28 fps/ 0.42 fps/ 1 fps/ 2.1 fps/ 3.1 fps/ 4.2 fps/ 5 fps/ 8.3 fps/ 12.5 fps/ 25 fps [12.5 fps mode] 0.08 fps/ 0.17 fps/ 0.28 fps/ 0.42 fps/ 1 fps/ 2.1 fps/ 3.1 fps/ 4.2 fps/ 5 fps/ 8.3 fps/ 12.5 fps (JPEG frame rates are limited when using JPEG and H.265/H.264 simultaneously.)</p> |
| Smart coding: | <p>GOP(Group of pictures) control Off/ Low (Variable GOP 1s-8s)/ Mid (Variable GOP 4s-16s)/ Advanced (Fixed GOP 60 seconds with 1 second Key frame)/ Frame rate control (Variable GOP 4s-16s with frame rate control) *Advanced and Frame rate control are only available with H.265.</p> <p>Smart VIQS On(High)/On(Low)/Off</p> <p>Smart P-picture control On/Off</p> |
| Audio compression method: | <p>G.726 (ADPCM): 16 kbps/ 32 kbps G.711: 64 kbps AAC-LC*4: 64 kbps/ 96 kbps/ 128 kbps</p> |
| Bandwidth control: | <p>Unlimited/ 64 kbps/ 128 kbps/ 256 kbps/ 384 kbps/ 512 kbps/ 768 kbps/ 1024 kbps/ 2048 kbps/ 4096 kbps/ 6144 kbps/ 8192 kbps/ 10240 kbps/ 15360 kbps/ 20480 kbps/ 25600 kbps/ 30720 kbps/ 35840 kbps/ 40960 kbps/ 51200 kbps</p> |
| Protocol: | <p>IPv6: TCP/IP, UDP/IP, HTTP, HTTPS, SSL/TLS, SMTP, DNS, NTP, SNMPv1/v2/v3, DHCPv6, RTP, MLD, ICMP, ARP, IEEE 802.1X, DiffServ</p> <p>IPv4: TCP/IP, UDP/IP, HTTP, HTTPS, SSL/TLS, RTSP, RTP, RTP/RTCP, SMTP, DHCP, DNS, DDNS, NTP, SNMPv1/v2/v3, UPnP, IGMP, ICMP, ARP, IEEE 802.1X, DiffServ, SRTP</p> |
| Security: | <p>User authentication, Host authentication, HTTPS</p> |

| | |
|--|--|
| OS: | Microsoft Windows 10 Microsoft Windows 8.1 |
| Browser * ⁵ : | Microsoft Edge Firefox Google Chrome |
| Maximum concurrent access number: | 14* (Number of sessions that can connect to cameras at the same time) * Depends on network conditions |
| Multi-screen: | Up to 16 camera images can be displayed simultaneously on a multi-screen. * ⁶ (Including the camera itself) |
| microSD memory card * ⁷ , * ⁸ , * ⁹ , * ¹⁰ , * ¹¹ : | microSDXC memory card: 64 GB, 128 GB, 256 GB, 512 GB microSDHC memory card: 4 GB, 8 GB, 16 GB, 32 GB microSD memory card: 2 GB |
| Mobile terminal/ Tablet terminal compatibility: | iPad / iPhone (iOS 8.0 or later), Android™ terminals |

*1 H.265/H.264 can be selected for each stream.

*2 Used by super resolution techniques.

*3 Transmission for 4 streams can be individually set.

*4 When recording audio on a microSD memory card, only use AAC-LC (Advanced Audio Coding - Low Complexity).

*5 For information on the operation verification of the supported web browsers, refer to our support website <Control No.: C0132>.

*6 When using MJPEG/JPEG (Refresh interval) only.

*7 Refer to our support website <Control No.: C0107> for latest information about the compatible microSD memory cards.

*8 For possible number of images and duration (an indication) that can be saved on the microSD memory card, refer to our support website below.

Possible number of JPEG images that can be saved: <Control No.: C0306>

Possible duration of stream images (H.265 or H.264) that can be saved: <Control No.: C0307>

*9 Use the microSD memory card with SD Speed Class 6 or higher. Use the microSD memory card that complies with UHS-1(Ultra High Speed-1) in the case of SD Speed Class 10.

*10 Refer to our support website <Control No.:C0117> for the replacement cycle (target) of a microSD memory card.

*11 When repeatedly recording images on a microSD memory card using the auto overwrite function, make sure to use a microSD memory card with high reliability and durability.

i-PRO Co., Ltd.

Fukuoka, Japan

<https://www.i-pro.com/>

Authorised Representative in EU:
i-PRO EMEA B.V.
Laarderhoogtweg 25, 1101 EB
Amsterdam, Netherlands

i-PRO EMEA B.V. UK Branch
1010 Cambourne Business Park,
Cambridgeshire CB23 6DP

